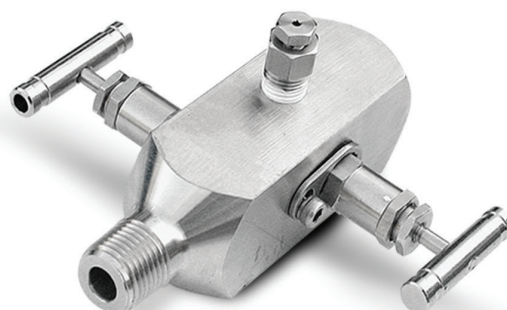
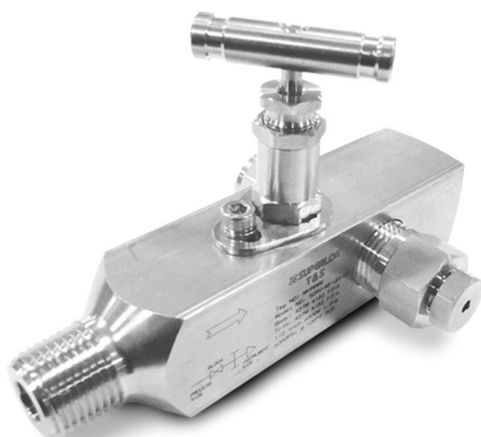


# Instrumentation Gauge Valves

## SGBV / SGBV2 Series



### Features

- Stainless Steel construction.
- 1/2 in. and 3/4 in. male to 1/2 in. female end connections.
- 1/2 in. female gauge ports standard.

### Specifications

|                                 |  |
|---------------------------------|--|
| Maximum Working Pressure Rating | 6000 psig (413 bar) @100°F(38°C)               |
| Temperature Rating              | -65 to 450°F (-54 to 232 °C) with PTFE packing |
| Body Material                   | 316 Stainless Steel                            |
| Orifice                         | 0.125" (3.2mm), 0.250" (6.4mm)                 |

### Testing

- Each Valve is tested with nitrogen at 1000psig(69bar) to maximum allowable leak rate of 0.1 SCCM.
- Hydrostatic shell test is performed at 1.5 times of the working pressure. (OPTION)

### Ordering Information

Example :

**SGBV - M 8N - F 8N - SS**

1
2
3
2
3
4

#### 1. Valve Series

SGBV : Gauge  
 SGRV : Gauge Root Valve  
 SGBV2 : Gauge 2- Vale

#### 2. End Connection Type

M : Male Pipe Thread  
 F : Female Pipe Thread

#### 3. Port Size

##### Pipe Thread Designation

| Size (inch)  | 1/2 | 3/4 |
|--------------|-----|-----|
| Screwed NPT  | 8N  | 12N |
| Screwed BSPT | 8R  | 12R |

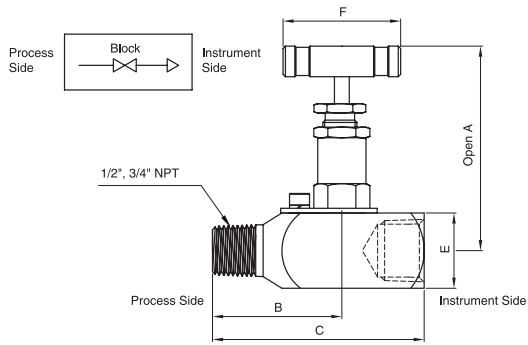
#### 4. Body Material

SS : 316 Stainless Steel

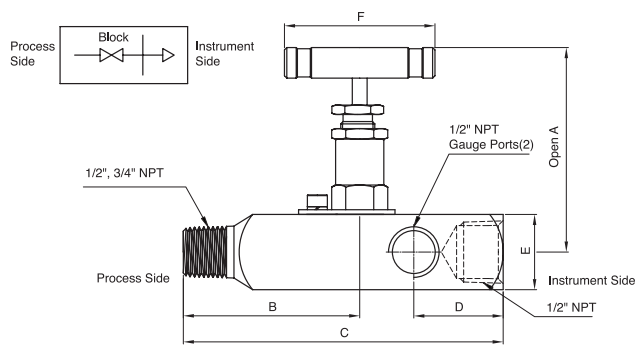
# Gauge Valve

## Gauge / Root Valve

### SGBV(Gauge Valve)



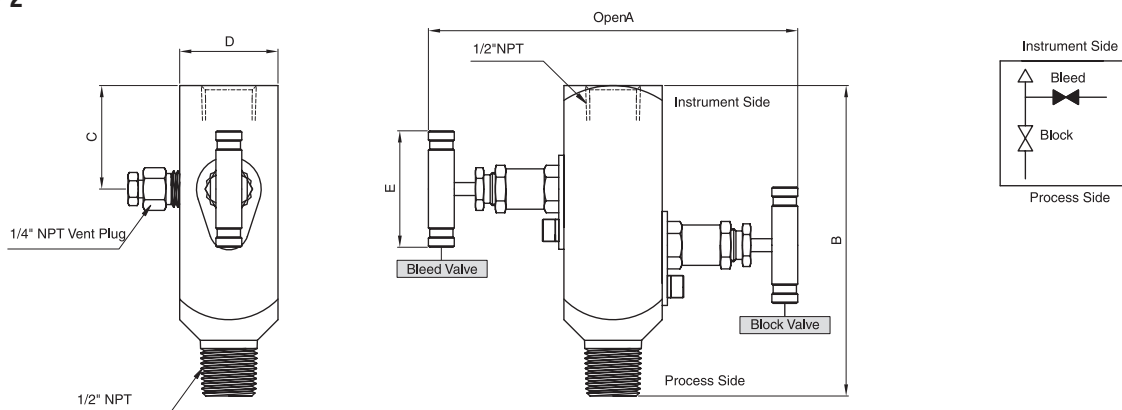
### SGRV(Gauge Root Valve)



| Part Number   | End Connections |                 | Dimensions (mm) |      |       |      |      |      |
|---------------|-----------------|-----------------|-----------------|------|-------|------|------|------|
|               | Process         | Instrument      | A               | B    | C     | D    | E    | F    |
| SGBV-M8N-F8N  | 1/2" Male NPT   | 1/2" Female NPT | 68.4            | 54.0 | 90.0  | -    | 32.0 | 45.0 |
| SGBV-M12N-F8N | 3/4" Male NPT   | 1/2" Female NPT |                 |      |       |      |      |      |
| SGRV-M8N-F8N  | 1/2" Male NPT   | 1/2" Female NPT | 68.4            | 75.0 | 136.0 | 38.1 | 32.0 | 45.0 |
| SGRV-M12N-F8N | 3/4" Male NPT   | 1/2" Female NPT |                 |      |       |      |      |      |

# Gauge 2-Valve

### SGBV 2



| Part Number   | End Connections |                 | Dimensions (mm) |     |    |    |    |
|---------------|-----------------|-----------------|-----------------|-----|----|----|----|
|               | Process         | Instrument      | A               | B   | C  | D  | E  |
| SGBV2-M8N-F8N | 1/2" Male NPT   | 1/2" Female NPT | 142             | 120 | 40 | 38 | 45 |

• All dimensions in millimeters unless specified as "inch". Dimension are for reference only and are subject to change.  
 • To order a manifold with optional Grafoil packing, add-G to the manifold ordering number.